

**SONY**

Hi-Fi Products  
Service Bulletin

Sony Service Company - Technical Services  
A Division of Sony Corporation of America  
Sony Drive Park Ridge, New Jersey 07656

**Model:** STR-GX80ES/STR-GX90ES

**No. 211**

**Subject:** Hinges For Lid Assembly

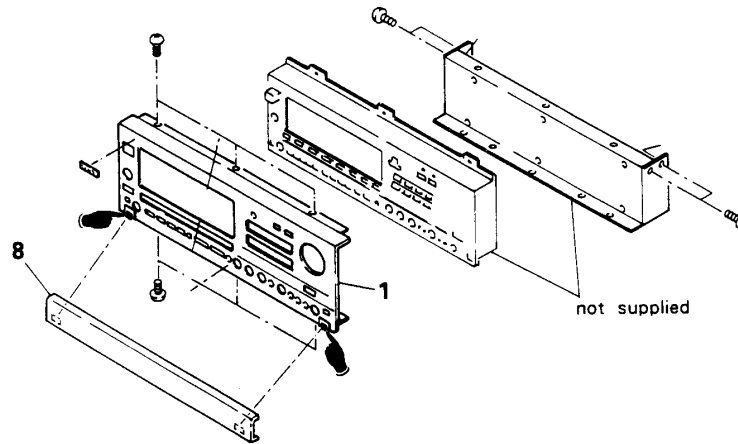
**Date:** September 20, 1991

**Symptom:**  
(\*\*)

The hinges that connect the front panel assembly to the lid assembly are not listed in the Service Manual.

**Solution:** The hinges are now available:

DESCRIPTION	PART NUMBER
HINGE (R) ASSEMBLY	X-4924-921-4
HINGE (L) ASSEMBLY	X-4924-922-4
HINGE STOPPER	4-931-647-02



CSA-13 Receiver

Reference: FPR L1776

PRINTED IN U.S.A.  
CSA-13991-2